

CANSTAT packaging and storage containers

Packaging and storage containers

Water repellent and scratch resistant layer at the outside

Reel Box

Order No:	type	inner dimens. (mm)	reel diameter
55.003.10	10-CRB	380 x 180 x 100	180 mm 16 reels
55.003.22	30-CRB	355 x 286 x 220	380 mm 5 reels

Reel Box Fifo

Order No:	type	inner dimens. (mm)	reel diameter
55.003.11	10-CRF	380 x 200 x 130	180 mm 10 reels

Tube Box closed for IC bars, with ESD printing

Order No:	type	inner dimens. (mm)	outer dimens. (mm)
55.001.00	05-CTB	600 x 95 x 45	610 x 113 x 51
55.001.02	10-CTB	590 x 95 x 95	600 x 113 x 101

Tube Box Fifo for IC bars

Order No:	type	inner dimens. (mm)	outer dimens. (mm)
55.001.05	10-CFI	650 x 50 x 100	623 x 75 x 106

Storage Box open

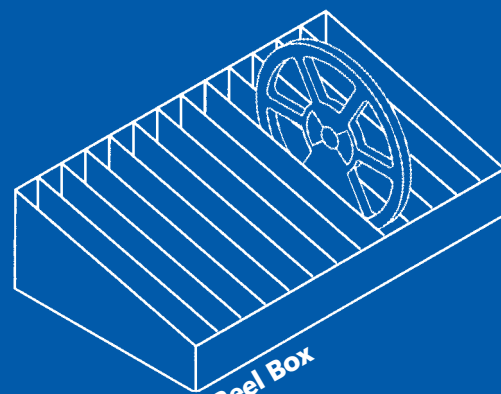
Order No:	type	inner dimens. (mm)	outer dimens. (mm)
55.002.21	05-CLBO	180 x 62 x 65	202 x 70 x 70
55.002.22	10-CLBO	285 x 150 x 110	305 x 159 x 115
55.002.23	15-CLBO	292 x 109 x 122	313 x 116 x 127
55.002.24	20-CLBO	580 x 65 x 65	600 x 73 x 66
55.002.25	30-CLBO	592 x 109 x 122	611 x 117 x 127
55.002.26	40-CLBO	592 x 153 x 70	611 x 161 x 75
55.002.30	45-CLBO	590 x 200 x 180	609 x 209 x 185
55.002.50	50-CLBO	615 x 100 x 130	634 x 108 x 135

Conductive Spring-folder suitable for working paper DIN A4

Order No:	type	Inner dimens. (mm)
24.600.00	10-CSH	315 x 235 x 8

Dissipative Ring-binder DIN A4

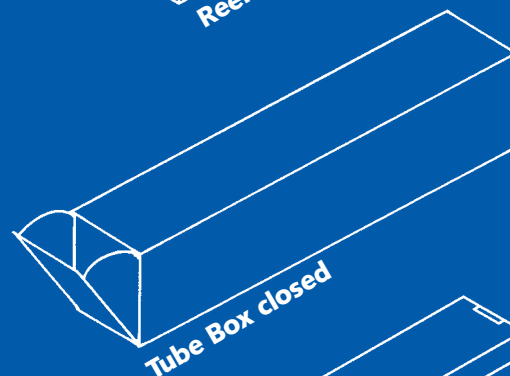
Order No:	type	Inner dimens. (mm)
24.700.05	10-ARO	315 x 235 x 35



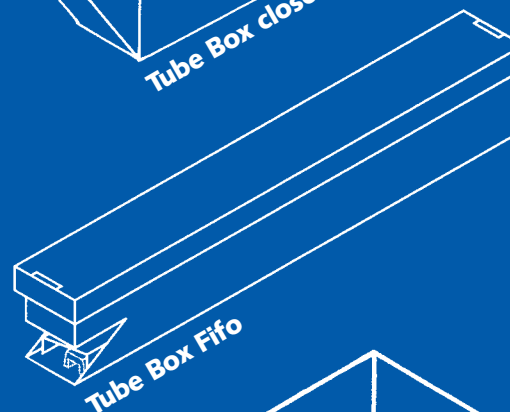
Reel Box



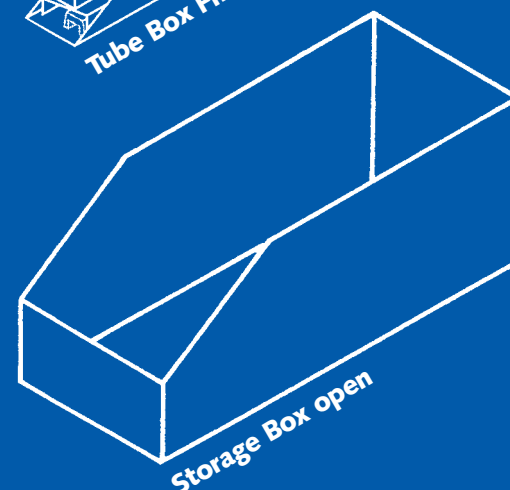
Reel Box Fifo



Tube Box closed



Tube Box Fifo



Storage Box open

Tray, stackable

On request with or without foam, as = dissipative or el = conductive

Order No:	type	inner dimens. (mm)	outer dimens. (mm)
55.011.00	05-CTR	297 x 230 x 28	351 x 246 x 31
55.011.30	06-CTR	297 x 230 x 55	351 x 246 x 60
55.011.40	07-CTR	305 x 243 x 40	358 x 259 x 43
55.011.50	20-CTR	499 x 330 x 28	550 x 346 x 31
55.011.60	25-CTR	499 x 330 x 40	550 x 346 x 43
55.011.70	30-CTR	499 x 330 x 70	550 x 346 x 73

Design without foam

ESD segment container Cantronic with ESD printing

Order No: type	inner dimens. LxWxH(mm)	Compartment dimensions LxWxH(mm)	No. of compartments	No. of short segments	No. of longitudinal segments
55.010.00 10-TSC	270x169x195	130x24x195	12	1	5
		265x24x195	6	-	5
55.010.02 15-TSC	372x388 84	109x18x84	60	19	4
		165x18x84	40	19	3
55.010.05 20-TSC	386x386x176	110x30x175	30	4	9
		168x30x175	20	3	9
		340x30x175	10	2	9
		353x30x175	10	2	9
55.010.10 30-TSC	386x386x358	168x35x350	18	8	3
		340x35x350	9	8	2
55.010.15 40-TSC	434x272x281	178x18x280	22	3	10
		365x18x280	11	2	10
		117x22x280	30	16	3
		238x22x280	15	16	2
55.010.17 45-TSC	493x390x166	178x45x166	20	9	3
		360x45x166	10	9	2
55.010.19 48-TSC	562x355x150	123x24x150	44	5	10
		165x24x150	33	4	10
		250x24x150	22	3	10
		515x24x150	11	2	10
55.010.20 50-TSC	562x355x329	123x24x325	44	5	10
		165x24x325	33	4	10
		250x24x325	22	3	10
		515x24x325	11	2	10

The compartment width can be doubled by taking out longitudinal segments. Dissipative segments.

Separators, dissipative with 2 cut edges

Order No:	type	Dimensions (mm)
55.013.10	10-DZW	552 x 352

Black adhesive tape, on rolls, dissipative Suitable for 30,40,45 and 50 TCS

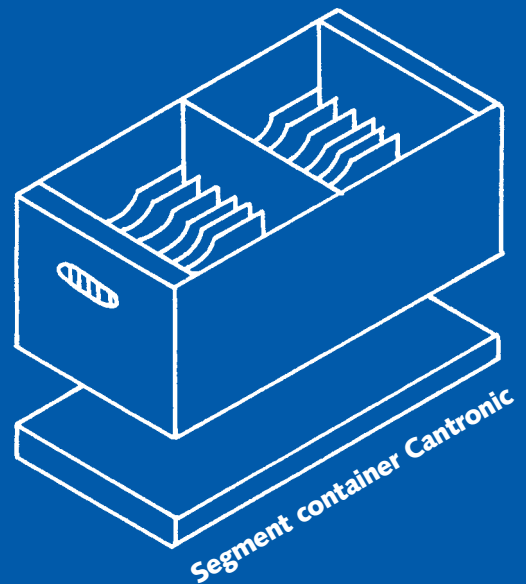
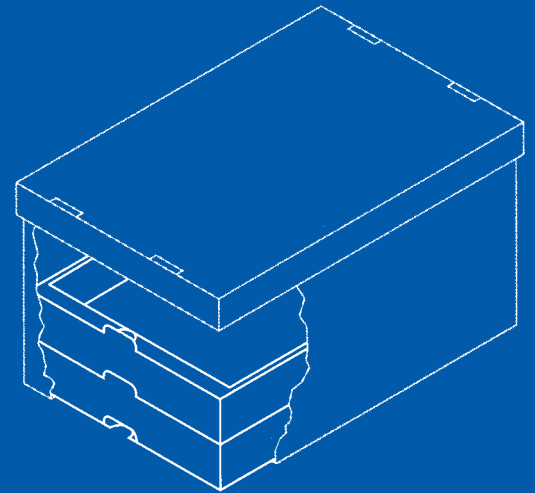
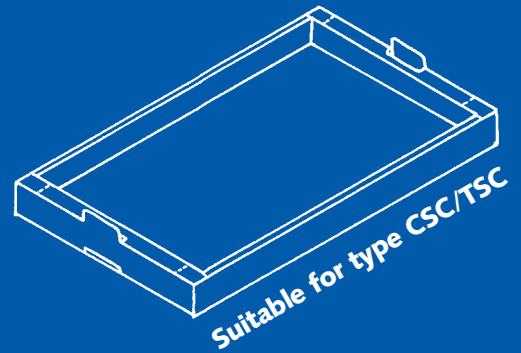
Order No:	type	Length	Dimensions (mm)
55.013.00	10-KB	66 m	50 mm

Customer-Store-Container

Cantronic, with water-repellent and scratch resistant layer

Order No:	type	inner dimens. (mm)	outer dimens. w. cover (mm)
55.012.85	10-CSC	362 x 251 x 139	400 x 300 x 150
55.012.87	15-CSC	362 x 251 x 220	400 x 300 x 228
55.012.89	20-CSC	551 x 362 x 139	600 x 400 x 150
55.012.91	30-CSC	551 x 362 x 172	600 x 400 x 185
55.012.97	35-CSC	551 x 362 x 220	600 x 400 x 228
55.012.99	40-CSC	550 x 365 x 400	600 x 400 x 413

Usable with or without lid



CANTRONIC packaging containers

ESD shipping boxes with ESD printing

Built up: each including conductive knob and plug-in foam

Order No:	Type	Design	Inner dimens. (mm)
55.400.01	01-TVS	Cantronic	40 x 40 x 15
55.400.02	02-TVS	Cantronic	62 x 62 x 25

None built up:

Order No:	Type	Design	Inner dimens. (mm)
55.400.04	05-TVS	Cantronic	100 x 55 x 25
55.400.05	10-TVS	Cantronic	183 x 127 x 38
55.400.06	15-TVS	Cantronic	178 x 127 x 64
55.400.07	20-TVS	Cantronic	190 x 135 x 40
55.400.08	30-TVS	Cantronic	250 x 191 x 38
55.400.09	40-TVS	Cantronic	250 x 191 x 64
55.400.30	45-TVS	Cantronic	250 x 191 x 110
55.400.10	50-TVS	Cantronic	267 x 216 x 64
55.400.55	55-TVS	Cantronic	300 x 300 x 100
55.400.57	57-TVS	Cantronic	380 x 280 x 60
55.400.13	60-TVS	Cantronic	420 x 220 x 40
55.400.65	65-TVS	Cantronic	420 x 220 x 65

Shipping box, constructive with ESD printing
suitable for Euro 1 and Euro 2

Order No:	type	Design	Inner dimens. (mm)
55.400.90	10-TKVS	Cantronic	135 x 195 x 25
55.400.95	20-TKVS	Cantronic	135 x 195 x 65
55.400.98	30-TKVS	Cantronic	268 x 190 x 45

Dissipative pink knob foam

Electrical conductive foam el (black) quoted on request

Order No:	type	Inner dimens. (mm)
55.401.05	05- NS as	100 x 55 x 10
55.401.10	10-NS as	183 x 127 x 20
55.401.15	15-NS as	178 x 127 x 20
55.401.20	20-NS as	190 x 135 x 20
55.401.30	30-NS as	250 x 191 x 20
55.401.30	40-NS as	250 x 191 x 20
55.401.30	45-NS as	250 x 191 x 20
55.401.50	50-NS as	267 x 216 x 20
55.401.52	55-NS as	300 x 300 x 20
55.401.53	57-NS as	380 x 280 x 20
55.401.60	60-NS as	420 x 220 x 20
55.401.60	65-NS as	420 x 220 x 20

Shipping box, suitable for EPROMS with ESD printing

Electrical conductive plug-in foam (5mm)

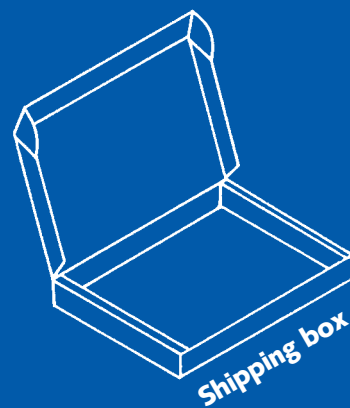
Order No:	type	Design	Inner dimens. (mm)
55.402.06	05-TEP	Cantronic	95 x 30 x 15
55.402.12	10-TEP	Cantronic	100 x 60 x 15
55.402.24	20-TEP	Cantronic	120 x 100 x 15
55.402.25	30-TEP	Cantronic	155 x 70 x 25

CAN-Pack with ESD printing / shipping box with dissipative knob foam (20mm) – conductive foam quoted on demand

Order No:	type	Design	Inner dimens. (mm)
55.006.06	05-TCP	Cantronic	150 x 115 x 40
55.006.12	10-TCP	Cantronic	200 x 140 x 50
55.006.24	20-TCP	Cantronic	280 x 140 x 100

SM Compack shippers with ESD printing / shipping box with plastic insert suitable for QFP and BGA

Order No:	type	Design	Inner dimens. (mm)
55.007.10	03-TSM	Cantronic	70 x 69 x 23



ESD cardboard, packaging and storage containers

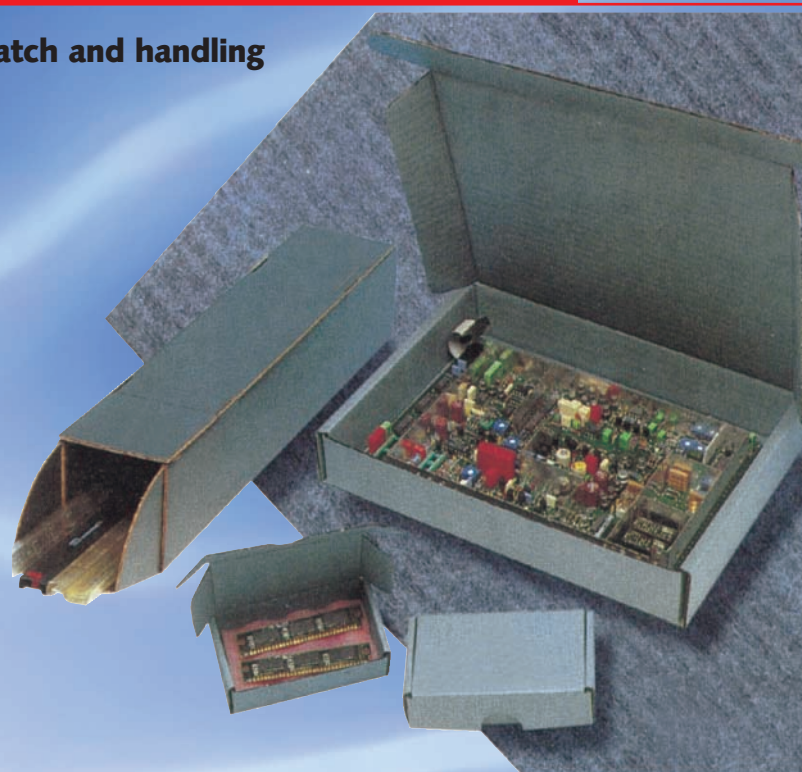
ESD protection systems for storage, dispatch and handling

Canespa-ESD protection systems

Made of recyclable board, very reliable and highly appreciated in practice.

Electric fields are build up constantly and everywhere: movements, friction and handling with different surfaces creates electric tension, which may damage electronic components. These ESD dangers can only be prevented by avoiding potential differences and by using shielding layers. The equipotential bonding is safest when using materials with a specific surface resistance of 10^5 - 10^8 Ohm/sq. The long living quality make CANSTATIC – and CANTRONIC containers to special products.

The shielding and deriving properties are entirely preserved even at frequently usage. The packagings are designed for multiple usage, that's one reason why they are environment-friendly. Furthermore the material is completely recyclable a further contribution to the practised environmental protection. CAN-STATIC and CANTRONIC-ESD packagings also have to be used for passive components, if one wants to avoid carriers of electrostatic charges in the EPA.



**On request we design your specific ESD packaging for you:
You determine what form, size, type and printing according to your requirements.
Optimise your dispatch, storage and transport costs – with our solution.**

Technical Data

	Type CANSTATIC	Type CANTRONIC
Electrical		
Surface resistance	< 10^4	< 10^2
Shielding layer Ohm/sq. (1 or 2 layers)		
Derivation layer Ohm/sq.	10^{5-6}	10^7
Releasing time	< 1 s	< 1 s
Frictional electricity	no	no
Surfaces	black	blue, standard
Chemicals		
Corrosion	none	none
Galvanic reaction	none	none
Recyclable	Resy 0062	Resy 0062
Mechanical		
Base-material covers	100% kraft liner	100% kraft liner
Impact penetration resistance/joule (for example 1.36 B-wave)	5,4	5,4
Abrasion resistance (sealed surface)	good	good
Printability	limited	good
Humidity	no restrictions of the electric characteristics	no restrictions of the electric characteristics
Weight (z.B. L 600 x W 400 x H 120 mm)	0,58 kg	0,58 kg
Certificated according to	EN 61340-5-1/5-2	EN 61340-5-1/5-2